

Backflow Preventer

Model GF8080S6



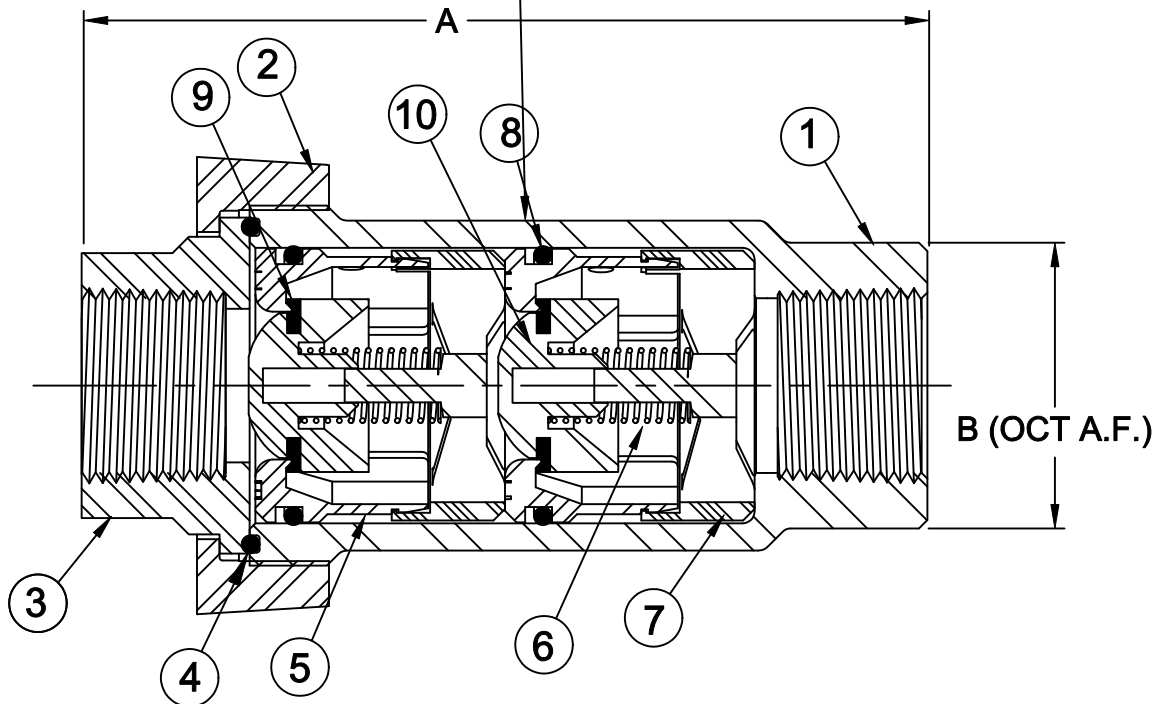
Glen-Flo™ Valves

Sizes 3/4" & 1" / 20mm & 25mm



Materials

DUAL CHECK
MODEL GF8080S6
S/N SIZE:
GLEN-FLO
ASSE 1024 FLOW
175PSI/180°F



Max Temp 180°F (82°C)
Max Pressure 175psi (12bar)

| Item # | Qty | Description | Material | ASTM | Item # | Qty | Description | Material | ASTM |
|--------|-----|------------------|-----------------|-------|--------|-----|--------------------|-----------------|----------|
| 1 | 1 | Body | Stainless Steel | 316 | 6 | 2 | CV Spring | Stainless Steel | 316 |
| 2 | 1 | Tailpiece Nut | Stainless Steel | 316 | 7 | 2 | CV Spring Retainer | Celcon | ----- |
| 3 | 1 | Tailpiece | Stainless Steel | 316 | 8 | 2 | CV O'Ring | Buna-n | ----- |
| 4 | 1 | Tailpiece O'Ring | Buna-n | ----- | 9 | 2 | CV Disc | Silicone Rubber | Grade 40 |
| 5 | 2 | CV Housing | Celcon | ----- | 10 | 2 | CV Poppet | Noryl GFN2-780S | ----- |

CV = Check Valve

Dimensions

| Size | | Part # | A | | B | | Weight | |
|------|----|----------|---------|-----|-------|----|--------|-----|
| inch | mm | | inch | mm | inch | mm | lbs | kg |
| 3/4 | 20 | GF8080S6 | 4-13/32 | 112 | 1-3/8 | 35 | 2 | .90 |
| 1 | 25 | GF8081S6 | 4-13/32 | 112 | 1-3/8 | 35 | 2 | .90 |

Fromatic Corporation can accept no responsibility for possible errors in catalogues, brochures and other printed material. Fromatic Corporation reserves the right to alter its products without notices. This also applies to product already agreed. All trademarks in this material are property of the respective companies. All right reserved. ©2011 Fromatic Corporation. The drawings & information on this drawing sheet are the sole & exclusive property of Fromatic Corporation. Any reproduction, distribution, display or use of these drawings or information in whole or in part without written authorization of Fromatic Corporation is strictly prohibited.



February 22, 2013
Dwg No: S8080S6 Rev: 0

FLOMATIC CORPORATION
GLENS FALLS, N.Y. 12801
PHONE (518) 761-9797
FAX (518) 761-9798